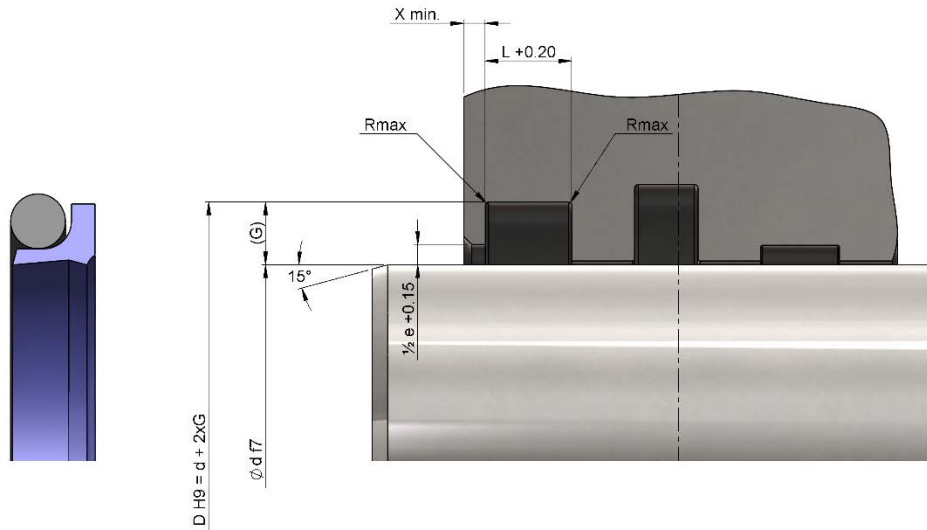


# L50 Double Acting Wiper



## Range of Application

**Operating Temperature:** -60°C to +200°C <sup>(1)</sup>  
**Sliding Speed:** ≤15m/s

1) Limited by the O-Ring material.

## Housing Dimensions

Cross Section	O-Ring Cross section	Recommended rod $\phi$ range		Groove width	Groove depth	Diametral Gap	Radius max	Land min
		$\geq$	$<$					
	(mm)			(mm)	(mm)	(mm)	(mm)	(mm)
A	1.78	6	12	3.7	2.4	1.5	0.4	3
B	2.62	12	65	5.0	3.4	1.5	0.7	3
C	3.53	65	250	6.0	4.4	2.0	1.0	4
D	5.33	250	420	8.4	6.1	2.0	1.2	5
E	6.99	420	650	11.0	8.0	2.5	1.5	8
F	8.40	650	1000	14.0	10.0	2.5	2.0	10

- Excellent wear resistance.
- Minimal break-away and dynamic friction and no stick-slip tendency even at low speeds.
- Good energy efficiency due to low friction.
- High chemical resistance.
- Installation in closed and undercut housings.
- Available in diameters from 4 to 2000 mm.
- Additional sizes of machined products available.