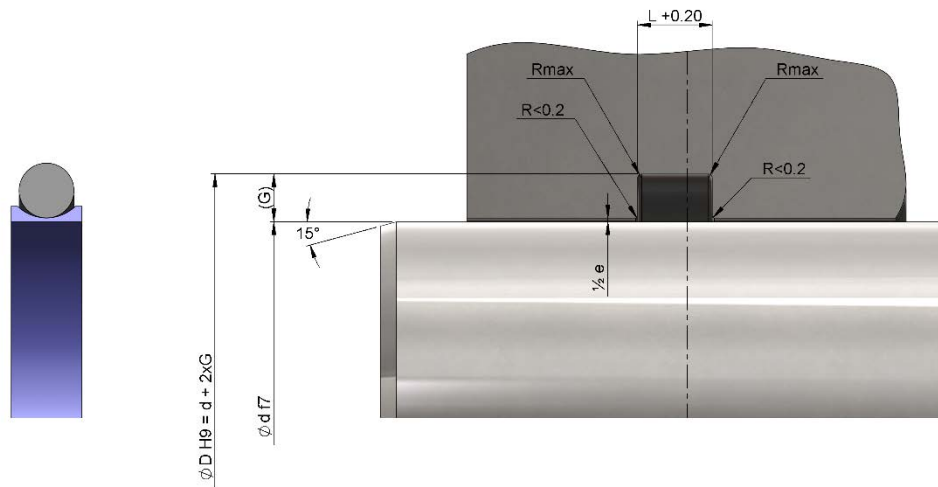


L41 Low Profile Double Acting Rod Seal



Range of Application

Operating Pressure: ≤ 160 bar
 Operating Temperature: -60°C to $+200^{\circ}\text{C}$ ⁽¹⁾
 Sliding Speed: $\leq 4\text{m/s}$

1) Limited by the O-Ring material.

Housing Dimensions

Cross Section	O-Ring Cross section	Recommended Rod ϕ range		Groove width	Groove depth	Diametral Clearance max	Radius max
		d	d				
	(mm)	\geq	$<$	(mm)	(mm)	(mm)	(mm)
A	1.78	4	10	2.4	1.45	0.13	0.4
B	2.62	10	20	3.6	2.25	0.13	0.4
C	3.53	20	40	4.8	3.10	0.15	0.6
D	5.33	40	120	7.1	4.70	0.17	0.8
E	6.99	120	400	9.5	6.10	0.25	0.8

- Excellent wear resistance.
- Minimal break-away and dynamic friction and no stick-slip tendency even at low speeds.
- Good energy efficiency due to low friction.
- Can be used in existing O-Ring grooves.
- High extrusion resistance.
- High chemical resistance.
- Installation in closed and undercut housings.
- Available in diameters from 4 to 2000 mm.
- Additional sizes of machined products available.