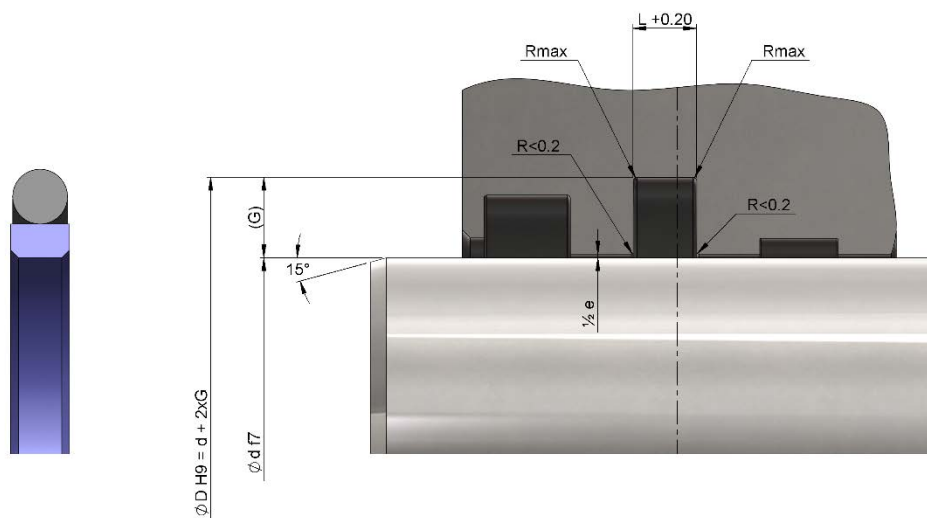


L21 Double Acting Rod Seal



Range of Application

Operating Pressure:	Normal ≤ 400 bar	Extreme ≤ 800 bar ⁽¹⁾
Operating Temperature:	-60°C to +200°C ⁽²⁾	
Sliding Speed:	≤ 15 m/s	
Frequency:	≤ 5 Hz	

- 1) With reduced extrusion gap and large cross sections.
 2) Limited by the O-Ring material.

Housing Dimensions

Cross Section	O-Ring Cross section	Recommended Rod ϕ range		Groove width	Groove depth	Diametral Clearance max 0-200 bar		Diametral Clearance max 200-400 bar		Radius max
		d	L			e	e	R		
	(mm)	\geq	$<$	(mm)	(mm)	(mm)	(mm)	(mm)	(mm)	(mm)
A	1.78	4	8	2.2	2.45	0.6	0.4	0.4	0.2	0.4
B	2.62	8	19	3.2	3.65	0.8	0.5	0.5	0.3	0.6
C	3.53	19	38	4.2	5.35	0.8	0.5	0.5	0.3	1.0
D	5.33	38	200	6.3	7.55	1.0	0.6	0.6	0.4	1.3
E	6.99	200	256	8.1	10.25	1.0	0.6	0.6	0.4	1.8
F	6.99	256	600	8.1	12.00	1.2	0.7	0.7	0.5	1.8

- Can also be used for single-acting applications.
- Excellent wear resistance.
- Minimal break-away and dynamic friction and no stick-slip tendency even at low speeds.
- Good energy efficiency due to low friction.
- Insensitive to pressure peaks.
- High extrusion resistance.
- High chemical resistance.
- Installation in closed and undercut housings.
- Available in diameters from 4 to 2000 mm.
- Additional sizes of machined products available.