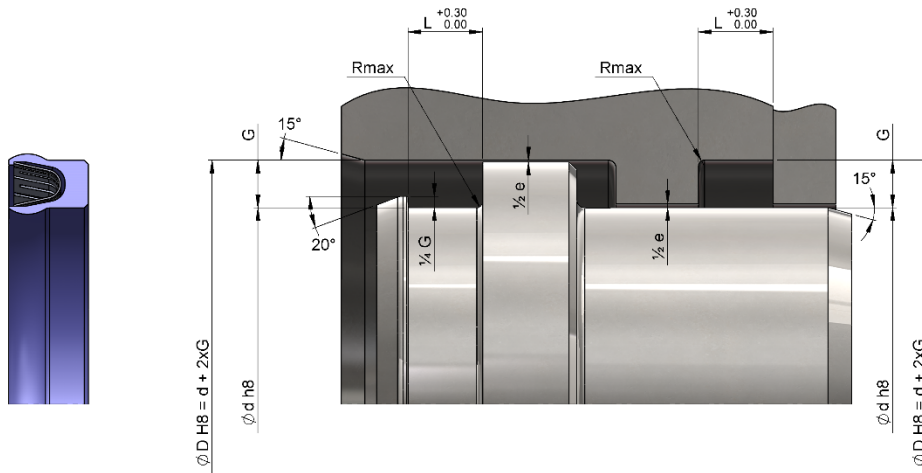


# LSE12 Finger Spring Seal – Extended Heel



For surface finish requirements, lead in chamfer and other installation dimensions see "General installation guidelines".

## Range of Application

Operating Pressure: ≤550 bar  
 Operating Temperature: -250°C to +300°C  
 Sliding Speed: ≤5m/s

## Housing Dimensions

Cross Section	Nominal Cross section	Recommended ID Ø range		Groove width	Groove depth	Gap	Radius max
		d		L	G	e	R
	(mm)	≥	<	(mm)	(mm)	(mm)	(mm)
000	1/16	7.5	75	3.8	1.42	0.10	0.4
100	3/32	5.5	180	4.6	2.26	0.13	0.5
200	1/8	6.0	250	6.0	3.07	0.15	0.6
300	3/16	12.5	300	8.5	4.72	0.18	0.7
400	1/4	50.0	500	12.1	6.06	0.20	0.8
500	3/8	150.0	1400	15.0	9.37	0.24	0.9

- Extended heel that reduces effects of extrusion.
- Helical spring for high load and small deflection range.
- Suitable for static or dynamic applications
- Can be used for both ID and OD sealing.
- Can be installed into non split grooves
- Additional sizes of machined products available.
- High chemical resistance.